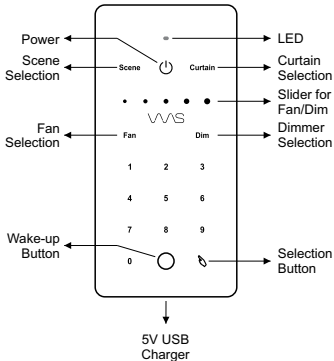


“VAVIS” RF Touch Remote Model : VTW/B-R



Operation Guidelines :

- ◆ Press the wake-up button to operate the remote. The LED will blink in green colour. The remote will go to sleep mode if not used or touched any button for 30 seconds.
- ◆ To turn ON or Off the switches, touch the respective buttons (0-9). This is toggle function, touch to ON & touch to OFF.
- ◆ To turn on the Fan, touch Fan selection button, than touch the Fan No. The particular Fan will be ON. To control the speed of the Fan, touch Fan button, than Fan No and slide the finger from left to right to increase and right to left to decrease the speed. To turn OFF the Fan, touch Fan button than Fan No. and Power Button. Particular Fan will be turned OFF.
- ◆ To turn on the Dimmer, touch Dimmer selection button, than touch the Dimmer No. The particular Dimmer will be ON. To control the intensity of the Dimmer, touch Dimmer button, than Dimmer No and slide the finger from left to right to increase and right to left to decrease the intensity. To turn of the Dimmer, touch Dimmer button than Dimmer No. and Power Button. Particular Dimmer will be turned OFF.
- ◆ To control the Curtain, touch the Curtain selection button, than Curtain No and touch on the left side of the slider to Open, right side of the slider to Close and center of the slider to Stop in between.
- ◆ To turn OFF all the loads, touch and hold the Power button for 3 seconds, all loads will be turned OFF.

- ◆ To turn on the Scene, touch Scene selection button, than touch the Scene No. The selected Scene will be ON. To change the Scene, same procedure, touch the Scene button than touch Scene No, Scene will change. To turn of the Scene, touch Scene button than Scene No. and Power Button. Particular Scene will be turned OFF.

LED Indications :

Sleep Mode	: OFF
Wake-up	: Green Colour (Blink once on wake-up)
Normal Touch	: Blue Colour (Blink once on touch)
Programming mode	: Pink Colour
Charging mode	: Red Colour
Full Charge	: LED will turn OFF on battery charged

Battery Charging :

Battery is required to be charged with any 5V USB Charger as & when required. The battery can be charged with any mobile USB charger.

Remove the charger once the battery is fully charged.

Normally full charged battery may work for 5-6 months. The battery life may vary depending upon the usage of the Remote.

Battery is not covered under Warranty.

WARRANTY

VAVIS Products are warranted against all manufacturing defects for a period of 12 months from the date of purchase (In case of any complaints please contact your dealer). Warranty is not applicable to rubber / plastic parts, glass, chipping / peeling of paint, coating, breakage and any other damage due to transportation, mishandling & negligence, normal wear and tear and tampering by unauthorised person or in case the serial number is altered / defaced or tampered with, other conditions subject to the above, the unit should be brought to the nearest Dealer or our Works at your cost along with the Warranty Card issued by the dealer with his seal and signature.

LIABILITY FOR CONSEQUENTIAL LOSS OR DAMAGE IS NEITHER ACCEPTED NOR IMPLIED.

LIMITED WARRANTY

Seller does not represent that the product may not be compromised or circumvented; that the product will prevent any personal injury or property loss, fire or otherwise; or that the product will in all cases provide adequate warning or protection. Buyer understands that a properly installed and maintained may only reduce the risk of fire or other events occurring, but it is not insurance or a guarantee that such will not occur or that there will be no personal injury or property loss as a result.

Consequently, Seller shall have no liability for any personal injury, property damage or other loss based on a claim the product failed. However, if Seller is held liable, whether directly or indirectly, for any loss or damage arising under this limited warranty or otherwise, regardless of cause or origin, Seller's maximum liability shall not in any case exceed the purchase price of the product, while shall be the complete and exclusive remedy against Seller.

We reserve the rights to modify " The Design & Specifications " of the products without prior notice.

For support contact :

+91 81289 86936

Manufactured By :



Embedded
SYSTEMS & AUTOMATIONS

Gujarat, India